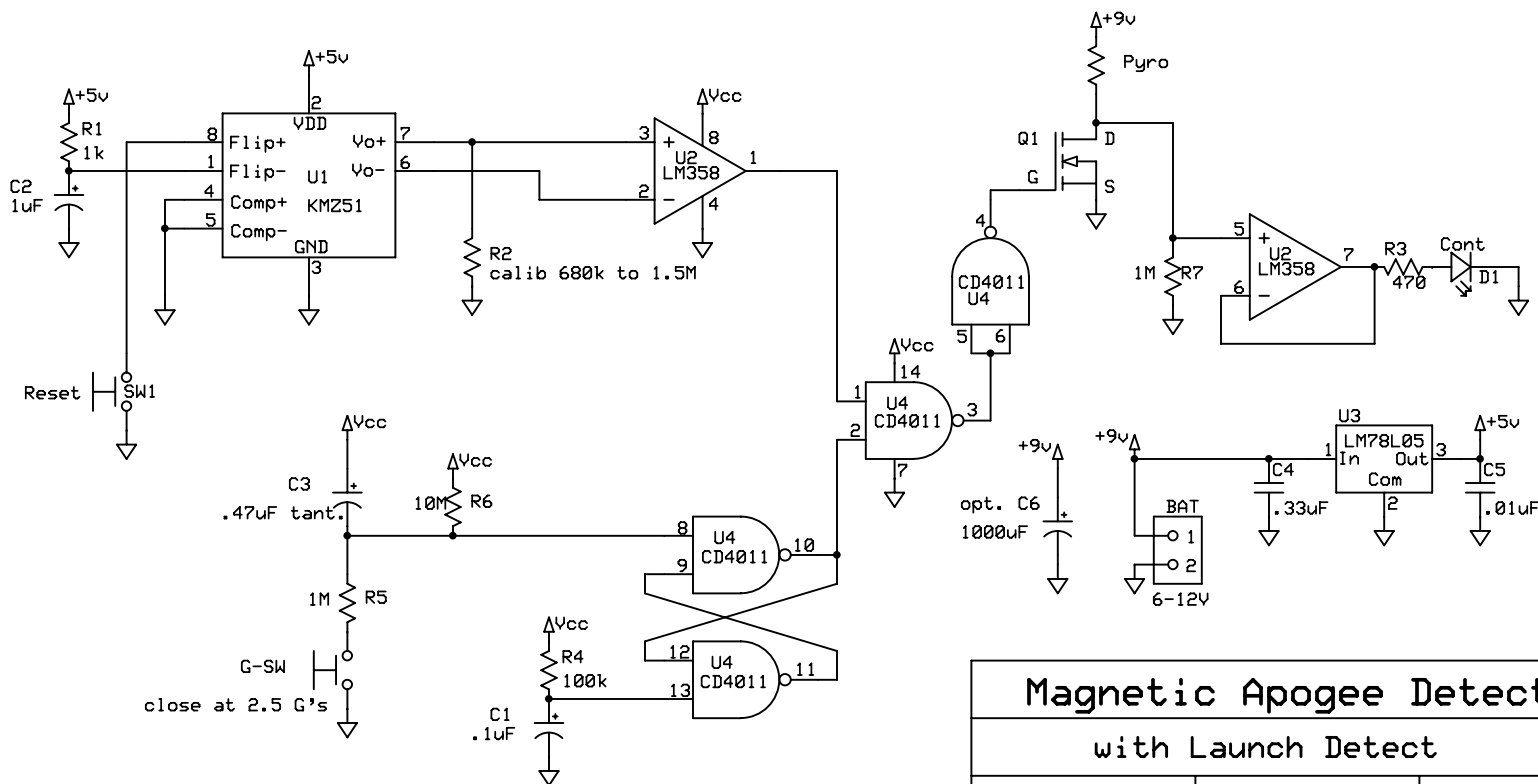


Vcc is +9V for rev A-C, +5V for rev. D



Magnetic Apogee Detector		
with Launch Detect		
Jim Yehle	Rev C and D 8/24/2007	Page 1 of 1