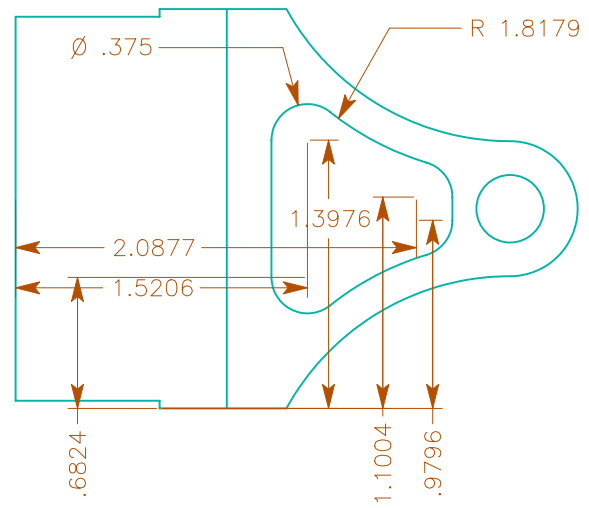
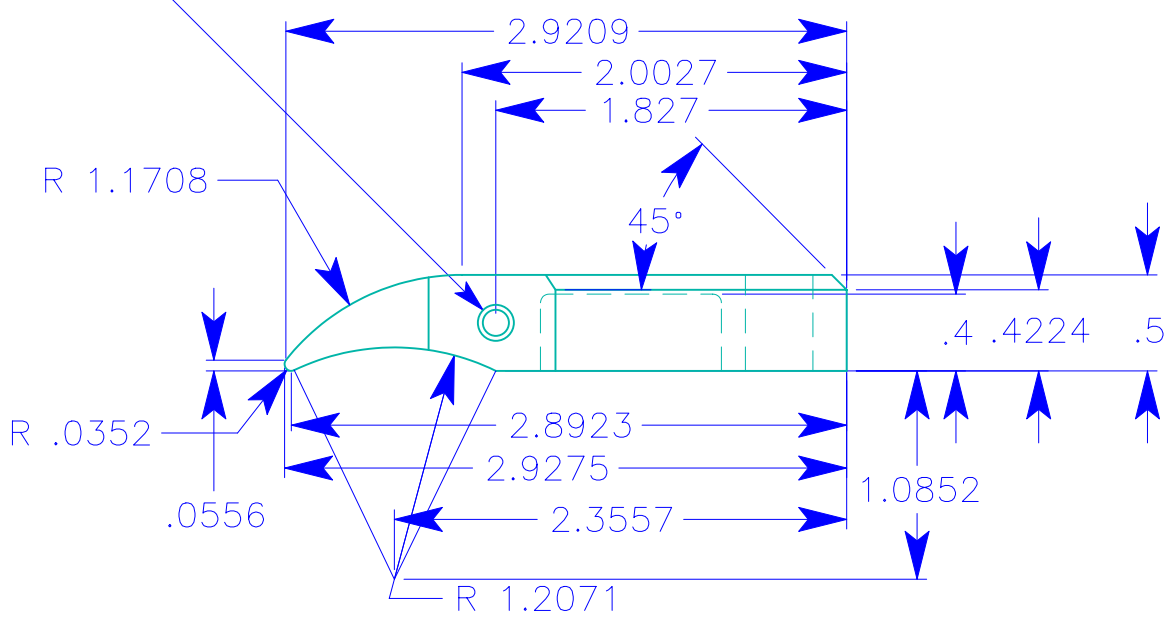


bore \varnothing 3/16 x 3/8; 8-32 x 1/4 further



Created By	Date
Jim Yehle	1/10/2003
Scale	1" = 1"
Tolerance	Um . . .
Project	Infill Plane
Drawing	Lever Cap
Rev	A