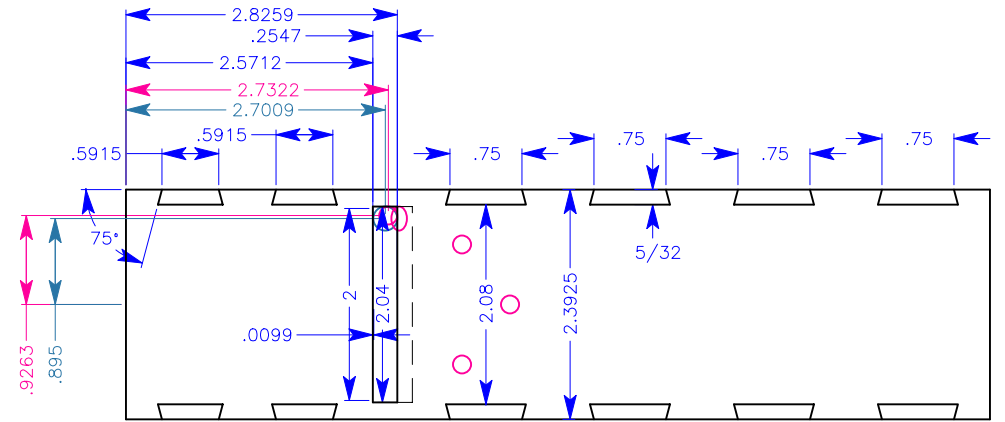
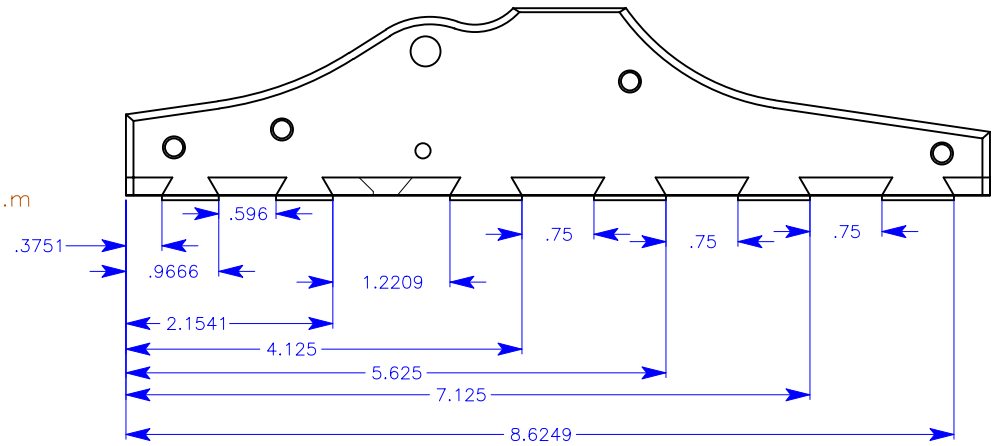
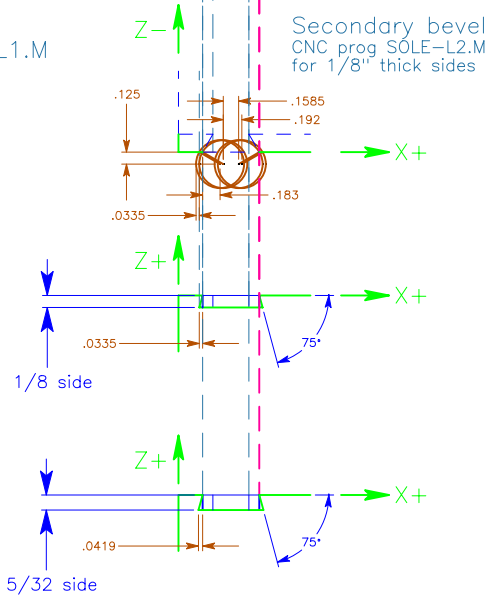
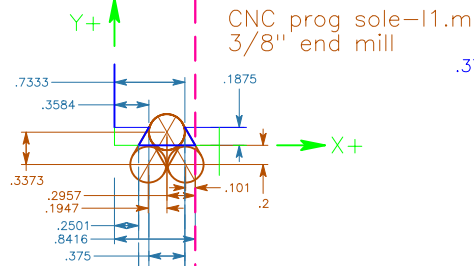


Machining Detail



Dovetail machining details
 a13body-mach.vc6
 scale 1" = 2"